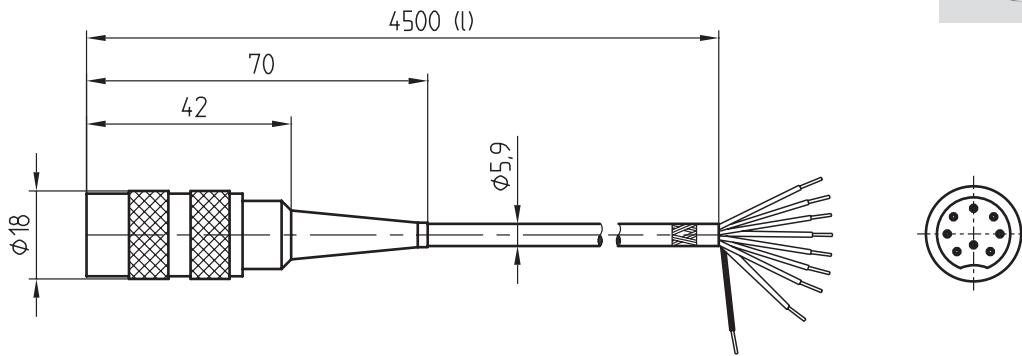


Z 1387/...



► Info

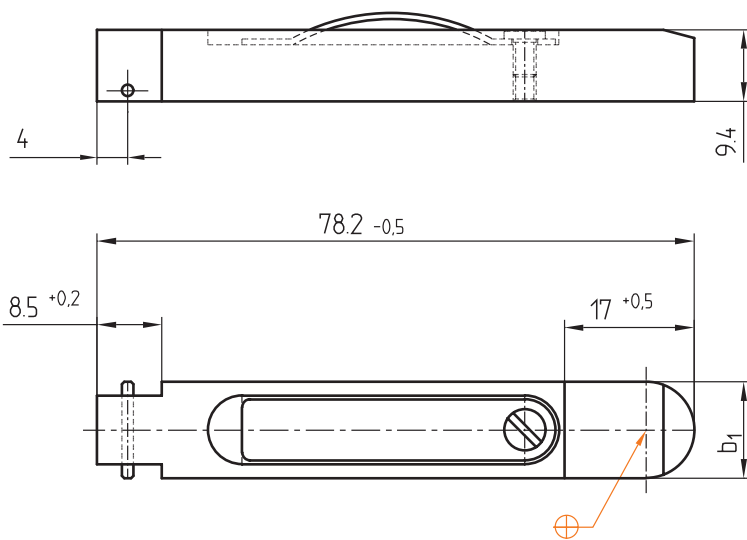


| l [mm] | Nr./No. |
|--------|-------------|
| 4500 | Z 1387/4500 |

Z 1391/...



► Info



| b_1 | Nr./No. |
|-------|-------------|
| 12,6 | Z 1391/12,6 |

This is trial version
www.adultpdf.com